

WARRANTY

This product is distributed by Britax Child Safety, Inc. ("Britax"). Britax warrants this product to the original retail purchaser as follows:

Limited One-Year Warranty

This product is warranted against defective materials or workmanship for one year from the date of original purchase. Proof of purchase is required. Your exclusive remedy for this warranty is that Britax will, at its option, provide repair or replacement components to the original purchaser for this product or refund the original purchase price of the product. Britax reserves the right to discontinue or change fabrics, parts, models or products, or to make substitutions. Labor and shipping costs for returns are not included.

To make a claim under this Warranty, contact your Britax retailer or Britax Consumer Services Department at 1-888-4BRITAX or write to 13501 South Ridge Drive, Charlotte, NC 28273. Proof of purchase is required.

PLEASE COMPLETE AND MAIL THE WARRANTY CARD WITHIN 30 DAYS OF PURCHASE

WARRANTY LIMITATIONS

This warranty does not include damages which arise from negligence, misuse, salt corrosion, or use not in accordance with the user guide.

The use of non-Britax Child Safety, Inc. accessories is not approved by Britax. The use of unapproved accessories could cause this product to become damaged or dangerous. Their use automatically voids the Britax warranty.

LIMITATIONS OF DAMAGES

The warranty and remedies as set forth above are exclusive and in lieu of all others, oral or written, express or implied. In no event will Britax or the retailer selling this product be liable for any damages, including incidental or consequential damages, arising out of the use or inability to use this product.

LIMITATIONS OF WARRANTIES AND OTHER WARRANTY TERMS AND STATE LAW RIGHTS

Any implied warranties, including implied warranties of merchantability and fitness for a particular purpose, shall be limited to the duration and terms of the express written warranty. Some states do not allow limitations on how long an implied warranty lasts or the exclusion or limitation of incidental or consequential damages, so the above limitations may not apply to you. This warranty gives you specific legal rights, and you may have other rights, which vary from state to state. Neither Britax, nor the retailer selling this product, authorizes any person to create for it any other warranty, obligation, or liability in connection with this product.



Britax Child Safety, Inc.
13501 South Ridge Drive
Charlotte, NC 28273
USA

A Britax Childcare company

Tel: 888-4BRITAX

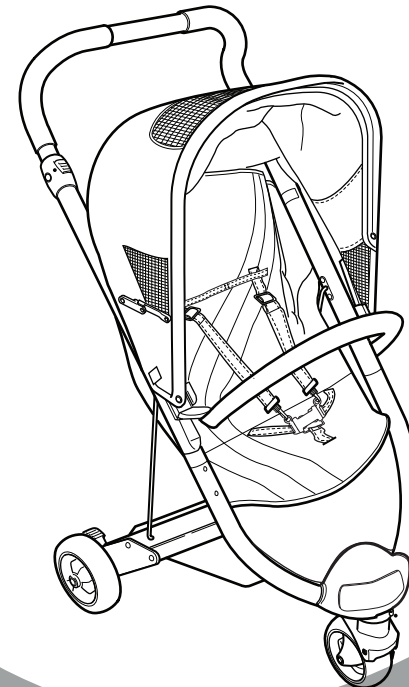
britaxusa.com

©2006 Britax Child Safety, Inc. All rights reserved. This product and its components are subject to change without notice. P279700 R1108.06



verve™
User Guide

Britax





WARNING!

Read these important safety instructions BEFORE use. Your child's safety may be affected if you do not follow these instructions carefully.

WARNING!

- Adult assembly is required. This stroller contains small parts, which are for adult assembly only. Keep small children away while assembling the stroller.
- Remove protective material and plastic bags and dispose of them before assembling the stroller.
- Read and understand these instructions before using this product. To ensure proper use, store this user guide in a convenient place so it can be referred to often. Failure to follow all warnings and instructions could result in serious injury or death.

AVOID SERIOUS INJURY FROM FALLING OR SLIDING OUT:

- ALWAYS use the 5-point safety harness to secure the child. The arm bar is not designed to restrain the child in the stroller.
- NEVER leave child unattended!
- DO NOT use storage basket to carry children.
- ONLY use accessories and replacement parts approved by Britax.
- DO NOT use an infant carrier or child restraint with this stroller. It is not designed to be compatible with child restraints or infant carriers.
- NEVER lift the stroller by the arm bar or hood.

TO PREVENT INJURIES:

- ALWAYS make certain stroller is fully open and wheels are secured before use.
- DO NOT allow children to climb on or play with the stroller.
- NEVER use stroller on stairs or escalators.
- DO NOT use with infants younger than 6 months.
- DO NOT use stroller with a child who weighs more than 40 lbs (18 kg).
- To avoid entrapment or pinching, DO NOT fold or unfold stroller when child is in or around stroller.
- Stroller is intended for walking speed only. DO NOT use while jogging, skating, etc.
- NEVER use the stroller with more than one child at a time.
- ALWAYS set the parking brake when stroller is not moving.
- DO NOT overload basket. Maximum weight in basket is 5 lbs (2.5 kg).
- DO NOT hang or place items on the stroller handle or frame.
- ONLY use approved accessories and replacement parts.

CARE AND MAINTENANCE

Parking Brake

- Periodically check that the parking brake works properly and locks both wheels securely.
- Clean out any dirt or debris that may prevent the brake from working.

Frame and Fabric

IMPORTANT: DO NOT use abrasives, solvents, strong detergents or household cleaners on plastic parts. These products can scratch, discolor and weaken plastic or cause corrosion on metal surfaces.

- Wipe frame with a damp cloth and mild soap.
- Clean stroller cover regularly with a sponge, warm water and household soap or mild detergent.
- Do not bleach, dry clean or use any other aggressive cleaning agents.
- Wipe plastic parts with a damp cloth and mild soap.
- Use clean, dry cloth or towel to wipe away excess water and soap to prevent corrosion.

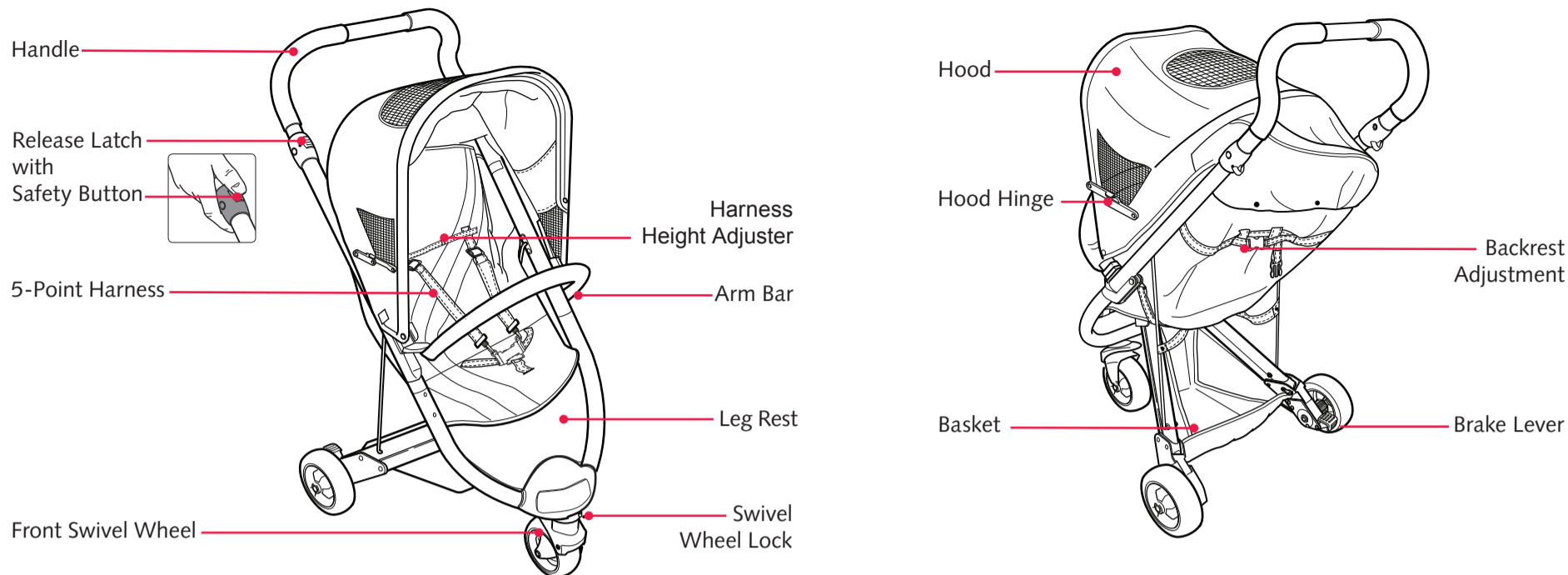
Wheels

- Periodically oil front swivel wheel assemblies and wheel axles with liquid silicone lubricant.
- Do not store the stroller for any length of time on lightly colored flooring or carpeting.

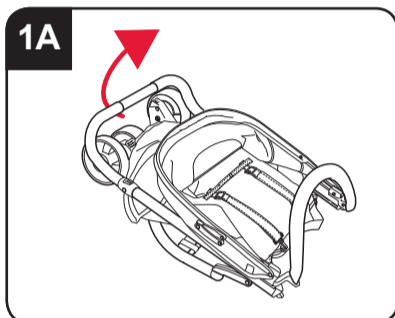
Storage

- Always make sure the stroller is dry before storing.
- If stroller becomes wet, allow to dry unfolded at room temperature before storing.
- Store away from extreme heat to prevent damage to plastic parts.
- Cover stroller to prevent dust build-up and exposure to sunlight.
- Do not stack other items on top of stroller.

Introducing your new stroller

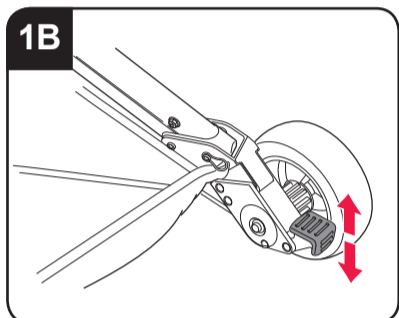


1. Using your stroller



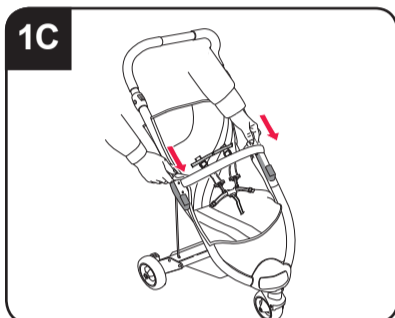
1A Open stroller by holding the handle and lifting upwards, fully extending the chassis until it clicks into position.

WARNING: Ensure chassis locking devices are engaged before use.



1B Apply brake when assembling the stroller. To lock the brake, push the brake lever down. To unlock the brake, lift brake lever up.

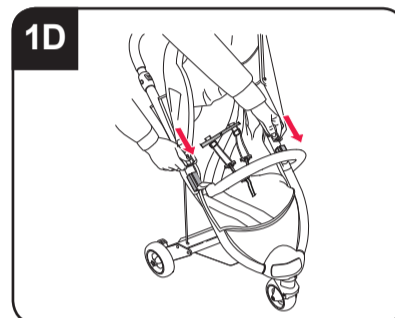
IMPORTANT: Always apply brakes when parking the stroller.



1C To attach the arm bar, align moldings on the arm bar with the metal tabs on the stroller. Slide both arm bar moldings down until fully engaged. Check for proper installation by carefully pulling on the arm bar.

To remove arm bar, remove hood (if fitted) and slide both arm bar moldings up and off the metal tabs on the stroller until released.

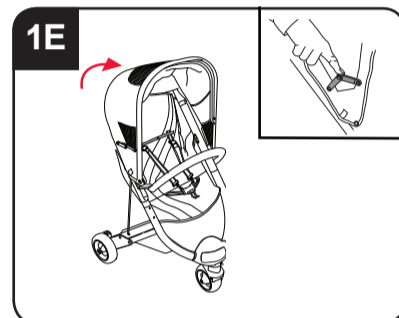
WARNING: DO NOT lift stroller by the arm bar or hood as it may disengage.



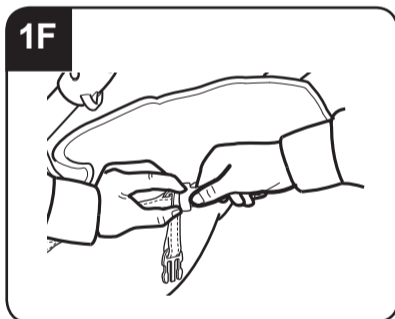
1D To attach the hood with the arm bar in place, align the hood moldings with the plastic tabs on the arm bar and slide them down until fully engaged.

The hood can be fitted without the arm bar by aligning the moldings on the hood with the metal tabs on the stroller frame and sliding them down until fully engaged.

To remove hood, slide the moldings upwards until released from the tabs on the arm bar or stroller.



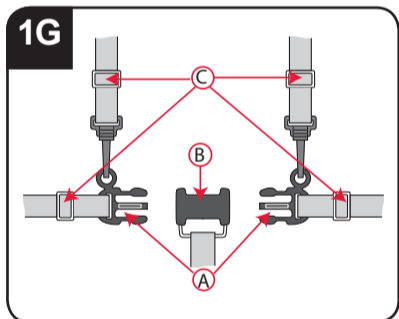
1E To open the hood, pull the front of the hood forward then push the hood hinges on both sides of the hood down. To close hood, reverse above directions.



1F To recline the backrest, squeeze and release the buckle at the end of the short strap from the buckle housing. Pull the seat-back down and insert the buckle at the end of the longer strap into the buckle housing. To recline the backrest further, release the buckle from the buckle housing and pull the seat-back down.

Reverse the above directions to return the backrest to an upright position.

IMPORTANT: Always support the seat back when adjusting the angle.

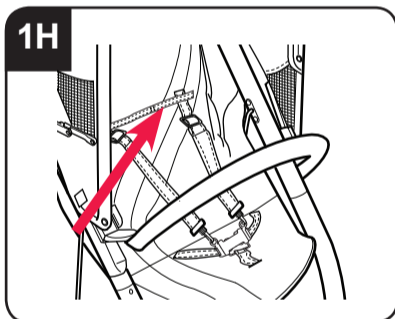


1G To secure the child in the 5-point harness, push buckles (A) into buckle housing (B) until buckle prongs snap into position. Carefully adjust the harness by pulling sliders (C) until desired fit is achieved in waist belt, shoulder belts and crotch strap.

To release buckles (A), squeeze top and bottom prongs.

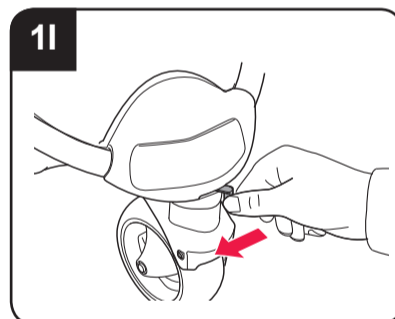
WARNING: Always use crotch strap in combination with waist belt. Always adjust harness when changing child's seating position.

WARNING: Fasten harness when not in use to prevent it from becoming trapped when folding the stroller.



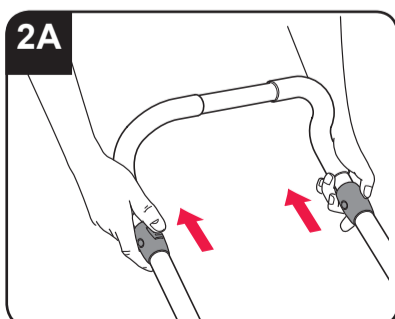
1H To raise shoulder harness height, pull harness straps through harness height adjuster so that they lay flat on top of the harness height adjusters.

To lower shoulder harness height, thread harness straps through harness height adjuster so they lay flat against the seat back, under the harness height adjuster.



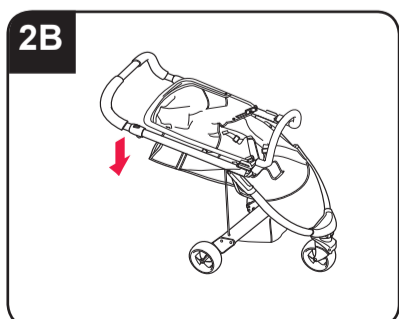
1I To lock the front swivel wheel, push front swivel lock from right to left. To unlock, push front swivel lock from left to right.

2. Folding the stroller

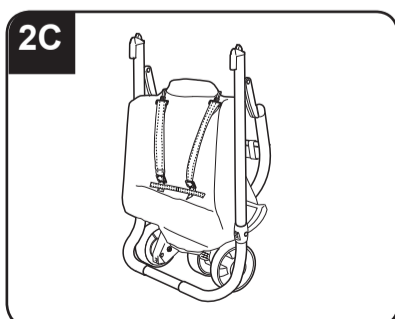


2A Apply brake before folding the stroller. Press and hold safety button on release latch while simultaneously pulling up on release latches.

WARNING: Always remove your child from the stroller prior to folding of stroller.



2B Push handle downward until the stroller folds in half.



2C Fully close and store stroller in a safe, dry space.

IMPORTANT: Do not fold and store the stroller when damp. Stroller should be dry before folding and storing.